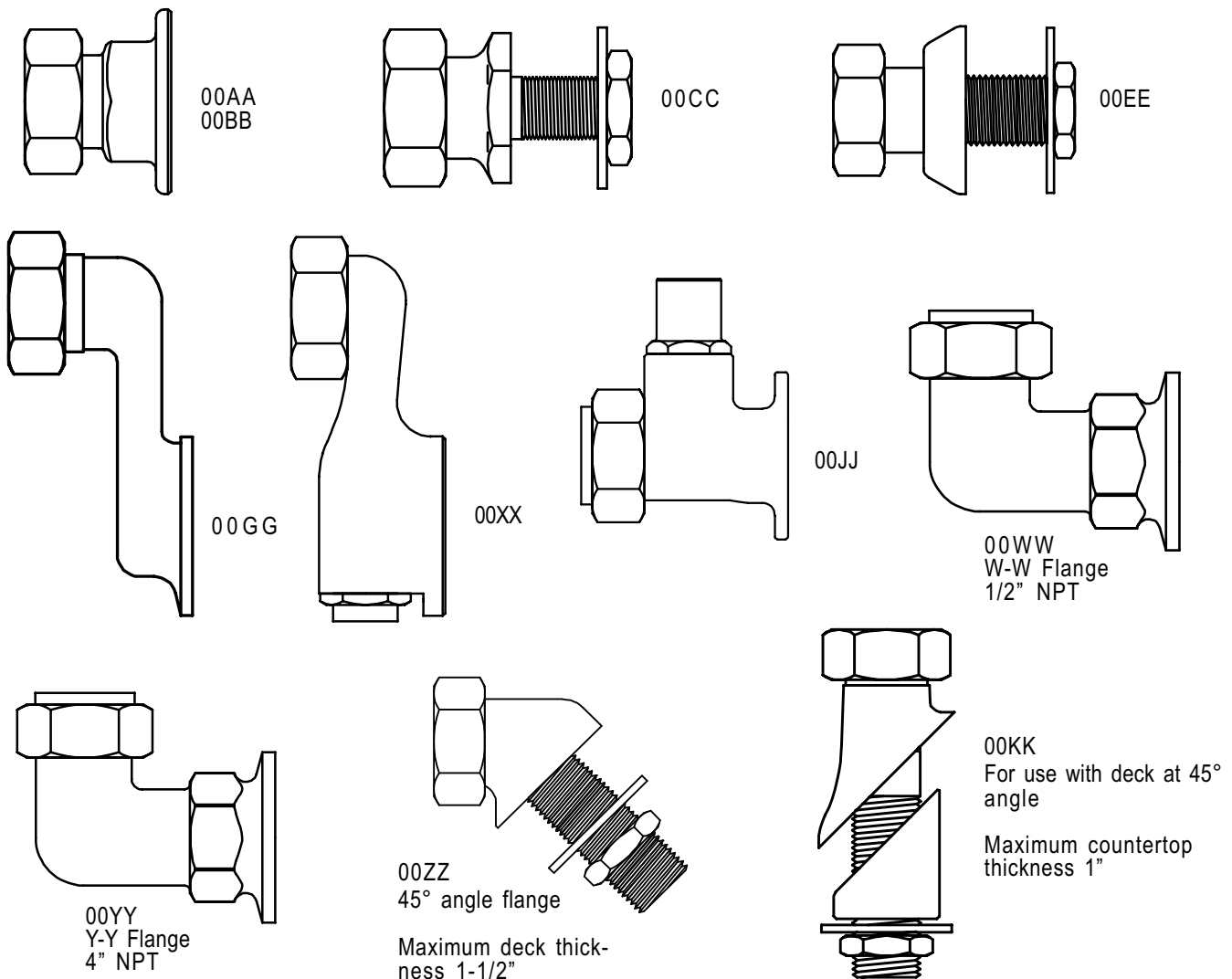


UNION COUPLING INLETS



The following inlets are polished chrome plated and used on mixing faucets to meet varying conditions of installation. All are interchangeable and are used in lieu of the "00AA" inlets which are ordinarily furnished on faucets using union coupling inlets. All are available in rough chrome if specified. To order, add suffix letter to faucet model number. For example: "B-0230-CC" sink mixing faucet with 1/2" NPT male inlet, 1" (25 mm) long.

- | | |
|------|--|
| 00AA | 1/2" NPT female eccentric flanged inlet |
| 00BB | 3/4" NPT female eccentric flanged inlet |
| 00CC | 1/2" NPT male inlet, 1" (25 mm) long |
| 00EE | 1/2" NPT male inlet with adjustable flange, 1" (25 mm) long |
| 00GG | 1/2" NPT female flanged adjustable inlet |
| 00XX | 1/2" NPT female flanged adjustable inlet with screwdriver stop |
| 00JJ | 1/2" NPT female inlet with loose key stop |
| 00WW | 1/2" NPT female flange 90° inlet |
| 00YY | 3/4" NPT female flange 90° inlet |
| 00KK | 1/2" NPT male inlet for use on 45° decks. Inlet is at 45° angle to mounting face. |
| 00ZZ | 1/2" NPT male inlet for use on 45° decks. Inlet is perpendicular to mounting face. |

A special

flange nut will be supplied when used for a single faucet.